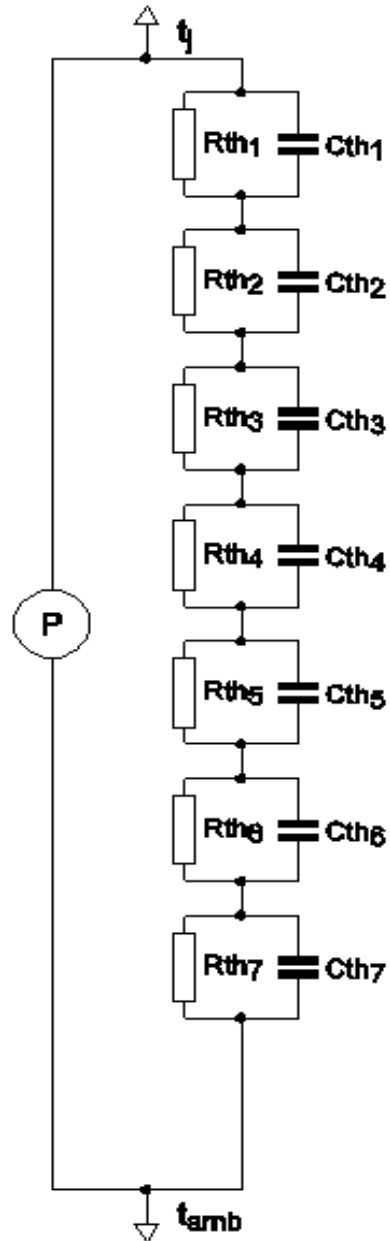


SPICE thermal model

PSMN1R4-30YLD

| Symbol | Parameter | Conditions | Min | Typ | Max | Unit |
|----------------|---|------------|-----|-----|------|------|
| $R_{th(j-mb)}$ | thermal resistance from junction to mounting base | | - | - | 0.81 | K/W |

| | |
|-----------|--------------------|
| C_{th1} | 6.001E-05 F |
| C_{th2} | 3.138E-04 F |
| C_{th3} | 3.935E-04 F |
| C_{th4} | 3.026E-03 F |
| C_{th5} | 4.907E-03 F |
| C_{th6} | 1.410E-02 F |
| C_{th7} | 2.685E-01 F |
| R_{th1} | 1.424E-03 Ω |
| R_{th2} | 3.385E-03 Ω |
| R_{th3} | 2.265E-02 Ω |
| R_{th4} | 3.312E-02 Ω |
| R_{th5} | 1.722E-01 Ω |
| R_{th6} | 5.329E-01 Ω |
| R_{th7} | 4.430E-02 Ω |



Part: PSMN1R4-30YLD
 Date: 10/6/2014
 Model Rth 0.81 K/W